



KNIFE-GATE VALVES

A SERIES

DOUBLE-ACTING PNEUMATIC CYLINDER

- CMO double-acting pneumatic actuators are designed to work at a pressure between 6 and 10 kg/cm².
- 10 Kg/cm² is the maximum admissible air pressure. For air pressures below 6 Kg/cm² please consult manufacturer.
- For ND50 to ND200 valves, the cylinder's jacket and covers are made of aluminium, the rod of AISI304, the piston of rubber-coated steel and the O-ring seals are made of nitrile.
- For valves larger than ND200 the covers are made of nodular cast iron or carbon steel.
- On request, we can also supply the actuator made entirely of stainless steel, especially for installation in corrosive atmospheres.
- **B = Max. width** of the valve (without actuator)
D = Max. height of the valve (without actuator)
- Available: ND50 to ND1200, other ND on request.

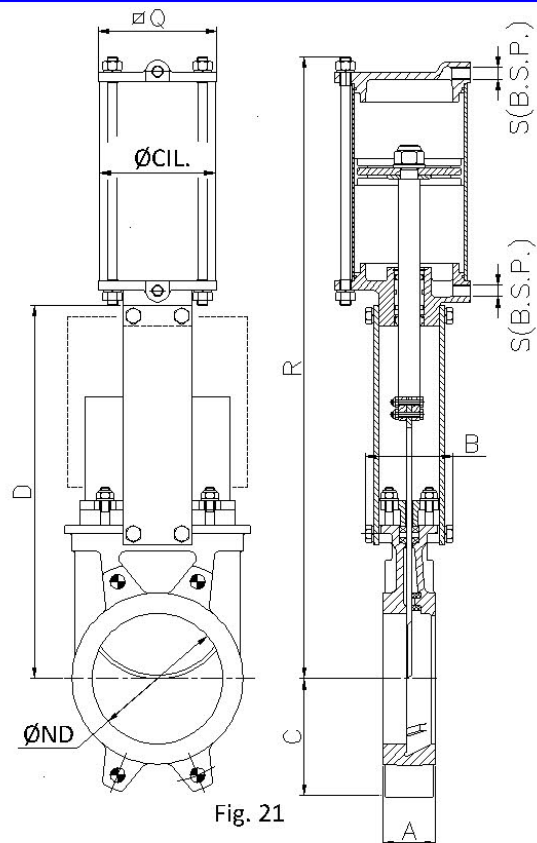


Fig. 21

ND	ΔP (Kg/cm ²)	DRAW (Nw)	A	B	C	D	Ø CIL.	Ø ROD	Ø Q	S (B.S.P.)	R	Weight (kg.)
50	10	815	40	91	61	241	80	20	96	1/4"	416	7
65	10	1375	40	91	68	268	80	20	96	1/4"	456	8
80	10	2083	50	91	91	294	80	20	96	1/4"	498	9
100	10	3252	50	91	104	334	100	20	115	1/4"	562	12
125	10	5080	50	101	118	367	125	25	138	1/4"	636	18
150	10	5134	60	101	130	419	125	25	138	1/4"	717	22
200	8	9138	60	118	159	525	160	30	175	1/4"	874	37
250	6	10227	70	118	196	626	200	30	218	3/8"	1036	58
300	6	14748	70	118	230	726	200	30	218	3/8"	1182	72
350	5	16064	96	290	254	797	250	40	270	3/8"	1381	130
400	5	21042	100	290	287	903	250	40	270	3/8"	1530	155
450	3	20043	106	290	304	989	300	45	382	1/2"	1676	225
500	3	24883	110	290	340	1101	300	45	382	1/2"	1839	257
600	3	36081	110	290	398	1307	300	45	382	1/2"	2146	340
700	2	39945	110	320	453	1506	350	45	426	1/2"	2481	556
800	2	43493	110	320	503	1720	350	45	426	1/2"	2798	679
900	2	55024	110	320	583	1953	400	50	508	1/2"	3167	840
1000	*	*	110	320	613	2137	400	50	508	1/2"	3451	1053
1100	*	*	150	340	670	2375	400	50	508	1/2"	3792	1210
1200	*	*	150	340	728	2616	400	50	508	1/2"	4135	1366

* → Consult

Table 9

C.M.O.

Amategui Aldea 142, 20400 Txarama-Tolosa (SPAIN)

TEC-A.EN05

Tel. Nacional: 902.40.80.50 Fax: 902.40.80.51 / Tel. Internacional: 34.943.67.33.99 Fax: 34.943.67.24.40

cmo@cmo.es <http://www.cmo.es>

Page 16